

Standard AC Motors High-Efficiency Three-Phase Induction Motors

KIS Series

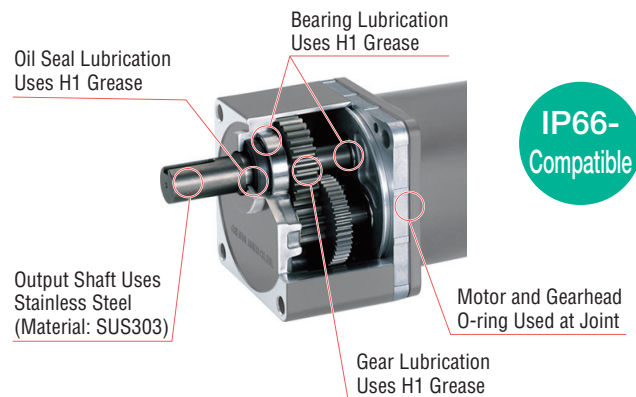
H1 Food-Grade Grease-Compatible Gearhead
Output Power 60 W (1/12 HP), 100 W (1/8 HP)



Features

The gearhead uses the NSF registered H1 food-grade lubricant (grease).

Compatible Products | **KIS Series** Terminal Box Type
Output: 60 W (1/12 HP), 100 W (1/8 HP)
Gear Ratio: **1/5 - 1/180** 8 Gear Ratios



● The combination motor is a conventional product.

● What is H1 Food-Grade Grease?

It is a grease registered by the NSF as part of a category where the “lubricants used in food-processing environments where there is the possibility of incidental food contact.”

What is NSF International?

NSF is an American-based international, third-party certification body which provides global services such as development of standards, product certification, auditing, training and risk management for the public health and environmental sectors.

● Gearhead Rated Life of 5,000 Hours

Specifications



Output	Product Name Terminal Box Type	Output W	Voltage V	Frequency Hz	Current A	Starting Torque mN·m (oz-in)	Rated Torque mN·m (oz-in)	Rated Speed r/min
60 W (1/12 HP)	5IK60VES3T2-□SF	60	Three-Phase 220	50	0.37	600 (85)	410 (58)	1400
				60	0.33	500 (71)	350 (49)	1670
		60	Three-Phase 230	50	0.38	600 (85)	410 (58)	1400
				60	0.33	500 (71)	350 (49)	1670
100 W (1/8 HP)	5IK100VES3T2-□SF	100	Three-Phase 220	50	0.55	850 (120)	690 (97)	1400
				60	0.48	700 (99)	570 (80)	1680
		100	Three-Phase 230	50	0.57	850 (120)	690 (97)	1400
				60	0.48	700 (99)	570 (80)	1680

● The values in the table are characteristics for the motor only.

● No built-in overheat protection device (thermal protector).

When there is an overload or the output shaft is locked, use the electromagnetic switch and the inverter's electronic thermal function to prevent motor burnout.

● Use an inverter setting frequency of 120 Hz or less when driving in combination with the inverter.

Product Line

Output	Product Name	Gear Ratio	List Price
60 W (1/12 HP)	5IK60VES3T2-□SF	5, 9, 15, 18	\$332.00
		30, 50, 100	\$343.00
		180	\$353.00
100 W (1/8 HP)	5IK100VES3T2-□SF	5, 9, 15, 18	\$351.00
		30, 50	\$371.00
		100, 180	\$381.00

● A number indicating the gear ratio is specified where the box □ is located in the product name.

Included Items

Installation Screws	Parallel Key (Stainless Steel)	Operating Manual
1 Set	1 Key	1 Set

Permissible Torque of Combination Types

- The speed is calculated by dividing the motor's synchronous speed (50 Hz: 1500 r/min, 60 Hz: 1800 r/min) by the gear ratio. The actual speed is a maximum of 10% less, depending on the load.

50 Hz

Upper Values: N-m / Lower Values: lb-in

Product Name	Speed r/min	300	166	100	83	50	30	15	8.3
	Gear Ratio	5	9	15	18	30	50	100	180
5IK60VES3T2-□SF		1.8 (15.9)	3.3 (29)	5.5 (48)	6.6 (58)	10.6 (93)	17.6 (155)	30 (260)	30 (260)
5IK100V□S3T2-□SF		3.1 (27)	5.6 (47)	9.3 (82)	10.7 (94)	17.8 (157)	29.7 (260)	40 (350)	40 (350)

60 Hz

Upper Values: N-m / Lower Values: lb-in

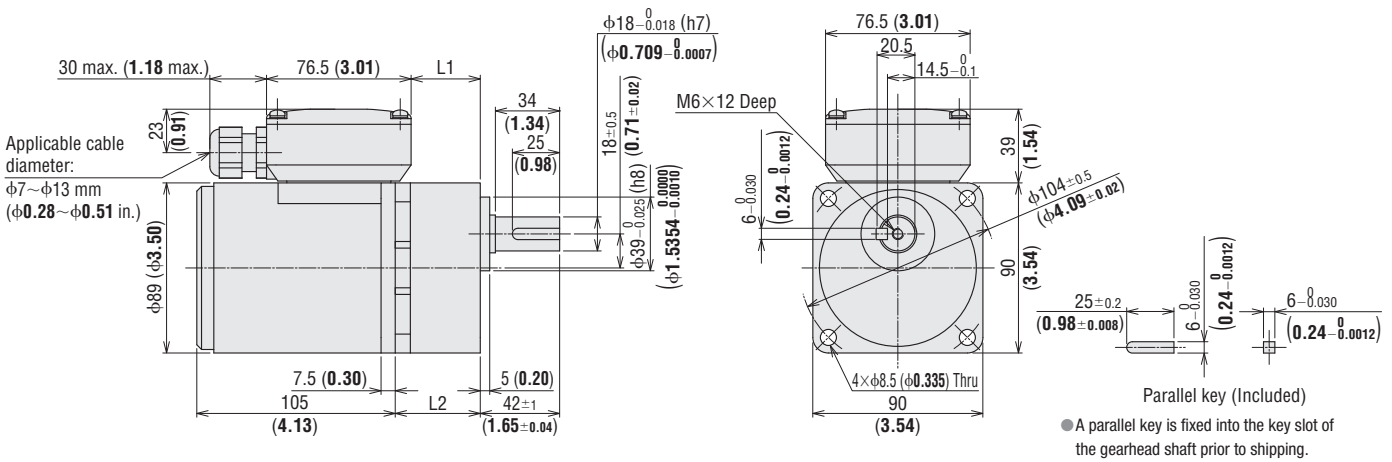
Product Name	Speed r/min	360	200	120	100	60	36	18	10
	Gear Ratio	5	9	15	18	30	50	100	180
5IK60VES3T2-□SF		1.6 (14.1)	2.8 (24)	4.7 (41)	5.7 (50)	9.0 (79)	15.1 (133)	30 (260)	30 (260)
5IK100V□S3T2-□SF		2.6 (23)	4.6 (40)	7.7 (68)	8.8 (77)	14.7 (130)	24.5 (210)	40 (350)	40 (350)

Dimensions Unit = mm (in.)

- Installation screws are included.
- The terminal box cable outlet can be rotated and affixed in 4 possible directions.

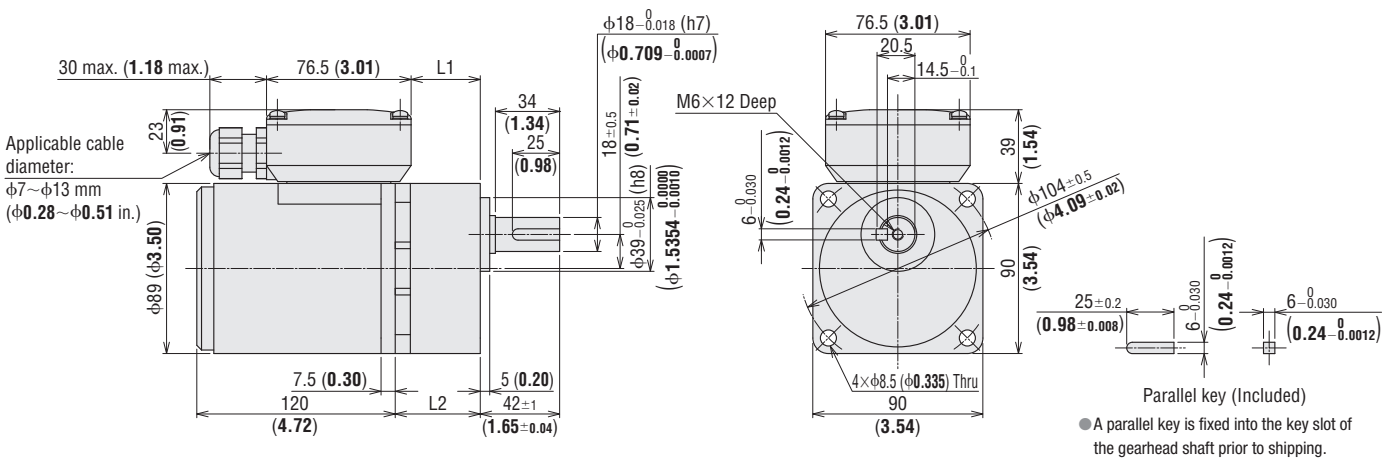
2D & 3D CAD

Product Name	Motor Product Name	Gearhead Product Name	Gear Ratio	L1	L2	Mass kg (lb.)	2D CAD
5IK60VES3T2-□SF	5IK60VGVH-ES3T2	5GVH□BSF	5, 9, 15, 18	36.6 (1.44)	45 (1.77)	3.6 (7.9)	A1676A
			30, 50, 100	49.6 (1.95)	58 (2.28)	3.9 (8.6)	A1676B
			180	55.6 (2.19)	64 (2.52)	4.0 (8.8)	A1676C



2D & 3D CAD

Product Name	Motor Product Name	Gearhead Product Name	Gear Ratio	L1	L2	Mass kg (lb.)	2D CAD
5IK100VES3T2-□SF	5IK100VGVH-ES3T2	5GVR□BSF	5, 9, 15	36.6 (1.44)	45 (1.77)	4.2 (9.3)	A1677A
			18, 30	49.6 (1.95)	58 (2.28)	4.6 (10.1)	A1677B
			50	61.6 (2.43)	70 (2.76)	4.7 (10.3)	A1677C
			100, 180				



● A number indicating the gear ratio is specified where the box □ is located in the product name.

ORIENTAL MOTOR U.S.A. CORP.

www.orientalmotor.com

Technical Support Tel: 800-468-3982 7:30A.M. - 7:00P.M. C.S.T (M-F) E-mail: techsupport@orientalmotor.com

● Free Sizing

● 2 Year Warranty

● Global Support